



NENUTEC AIR - ROTARY DAMPER ACTUATOR

STANDARD 8 Nm | 16 Nm | 24 Nm | 32 Nm | 2 POINT AND 3 POINT CONTROL WITH POTENTIOMETER

NEAA...08/16/24/32 (P) SERIES

NENUTEC standard damper actuators are especially designed and produced for applications in the HVAC systems. Our wide range of NENUTEC standard damper actuators has been developed to operate and position air dampers of different sizes.



Pictures might not correspond with technical data.

- Damper size 1.5 m² / 3.0 m² / 4.5 m² / 6.0 m²
- Power supply AC/DC 24V and AC 230V
- Control 2 point and 3 point
- Potentiometer 1 K Ω / 10 K Ω
- Digital greentech technology
- Shaft dimensions
 \varnothing 10 to 20 mm round / 10 to 16 mm square
 minimum shaft length 50 mm
- Selectable direction of rotation
- Adjustable angle of rotation
- Customer version (on request)

MODEL SELECTION TABLE

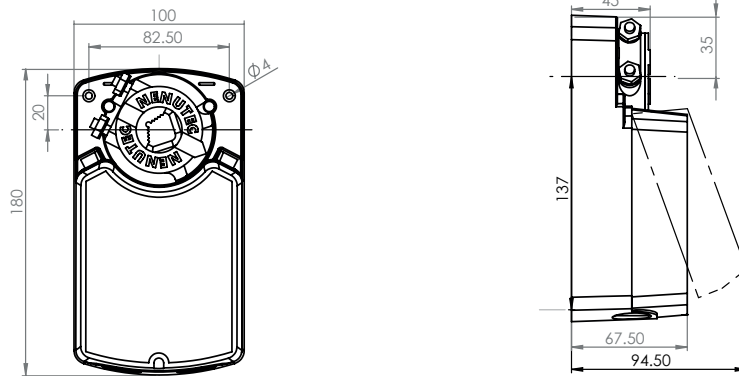
Torque	Running time	Power supply	Potentiometer	Model / Type
8 Nm	40 sec	AC/DC 24 V \pm 15%	1 K Ω	NEAA24-08P1
8 Nm	40 sec	AC 230V \pm 10%	1 K Ω	NEAA230-08P1
8 Nm	40 sec	AC/DC 24 V \pm 15%	10 K Ω	NEAA24-08P2
8 Nm	40 sec	AC 230V \pm 10%	10 K Ω	NEAA230-08P2
16 Nm	90 sec	AC/DC 24 V \pm 15%	1 K Ω	NEAA24-16P1
16 Nm	90 sec	AC 230V \pm 10%	1 K Ω	NEAA230-16P1
16 Nm	90 sec	AC/DC 24 V \pm 15%	10 K Ω	NEAA24-16P2
16 Nm	90 sec	AC 230V \pm 10%	10 K Ω	NEAA230-16P2
24 Nm	140 sec	AC/DC 24 V \pm 15%	1 K Ω	NEAA24-24P1
24 Nm	140 sec	AC 230V \pm 10%	1 K Ω	NEAA230-24P1
24 Nm	140 sec	AC/DC 24 V \pm 15%	10 K Ω	NEAA24-24P2
24 Nm	140 sec	AC 230V \pm 10%	10 K Ω	NEAA230-24P2
32 Nm	190 sec	AC/DC 24 V \pm 15%	1 K Ω	NEAA24-32P1
32 Nm	190 sec	AC 230V \pm 10%	1 K Ω	NEAA230-32P1
32 Nm	190 sec	AC/DC 24 V \pm 15%	10 K Ω	NEAA24-32P2
32 Nm	190 sec	AC 230V \pm 10%	10 K Ω	NEAA230-32P2



NENUTEC AIR - ROTARY DAMPER ACTUATOR

STANDARD 8 Nm | 16 Nm | 24 Nm | 32 Nm | 2 POINT AND 3 POINT CONTROL WITH POTENTIOMETER

ACTUATOR DIMENSIONS (mm)



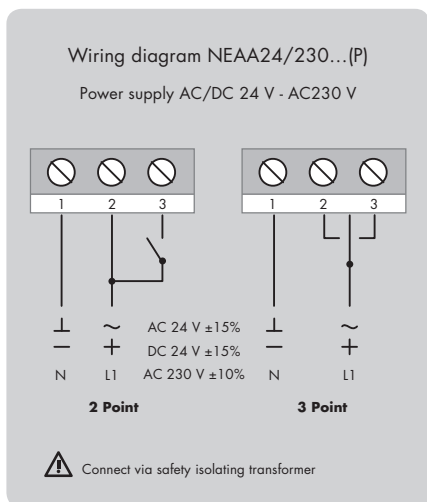
TECHNICAL SPECIFICATIONS

	NEAA24...(P)	NEAA230...(P)
Torque	8 Nm / 16 Nm / 24 Nm / 32 Nm	8 Nm / 16 Nm / 24 Nm / 32 Nm
Damper size	1.5 m ² / 3.0 m ² / 4.5 m ² / 6.0 m ²	1.5 m ² / 3.0 m ² / 4.5 m ² / 6.0 m ²
Shaft dimensions	Ø 10 to 20 mm round / 10 to 16 mm square	Ø 10 to 20 mm round / 10 to 16 mm square
Power supply	AC/DC 24V ± 15%	AC 230V ± 10%
Frequency	50 - 60 Hz	50 - 60 Hz
Control signal	2 point and 3 point	2 point and 3 point
Feedback potentiometer		
- Resistance	1 K Ω / 10 K Ω	1 K Ω / 10 K Ω
- Tolerance	±10 %	±10 %
- Loading capacity	1 W	1 W
- Linearity	±2 %	±2 %
- Residual resistance	max. 5 % on both sides	max. 5 % on both sides
Power consumption		
- Operating	2.5 W	2.5 W
- End position	0.2 W	0.2 W
For wire sizing	6.5VA	6.5 VA
Protection class	III ⚡	II ⚡
Angle of rotation	0°...90° (93° mechanical)	0°...90° (93° mechanical)
Angle of limiting	0°...90° in 5° steps	0°...90° in 5° steps
Weight	1.2 kg - 1.4 kg	1.3 kg - 1.5 kg
Life cycle	60'000 rotation	60'000 rotation
Sound level	45 dB (A)	45 dB (A)
IP protection	IP 54 (dust protected & protected against splash water)	IP 54 (dust protected & protected against splash water)
Operating temperature	-20°...+50° C / IEC 721-3-3	-20°...+50° C / IEC 721-3-3
Non-operating temperature	-30°...+80° C / IEC 721-3-2	-30°...+80° C / IEC 721-3-2
Ambient humidity	5%...95% rH non condensing / EN 60730-1	5%...95% rH non condensing / EN 60730-1
Maintenance	Maintenance free	Maintenance free
Mode of operation	Type I / EN 60730-1	Type I / EN 60730-1
EMC	CE according to 2004 / 108 / EC	CE according to 2004 / 108 / EC



NENUTEC AIR - ROTARY DAMPER ACTUATOR

STANDARD 8 Nm | 16 Nm | 24 Nm | 32 Nm | 2 POINT AND 3 POINT CONTROL WITH POTENTIOMETER



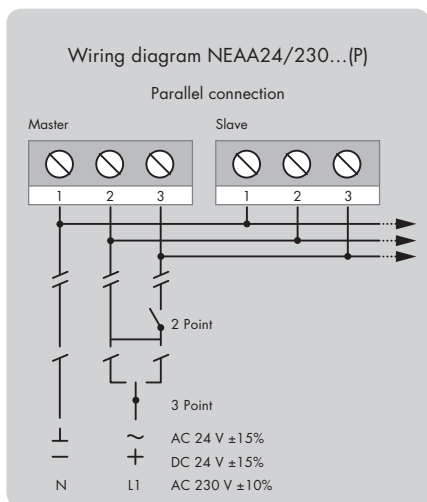
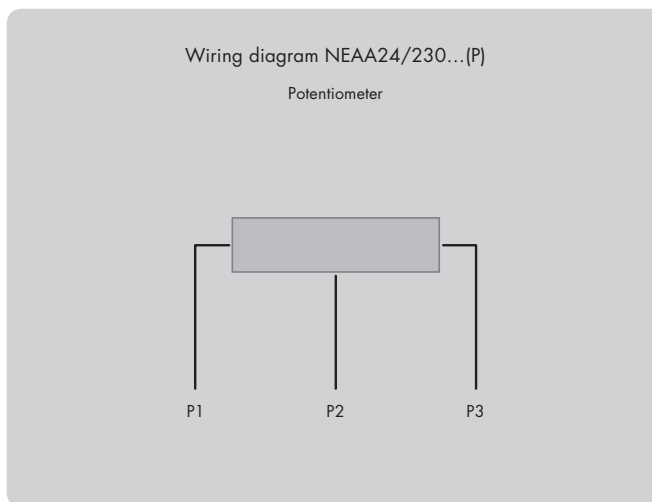
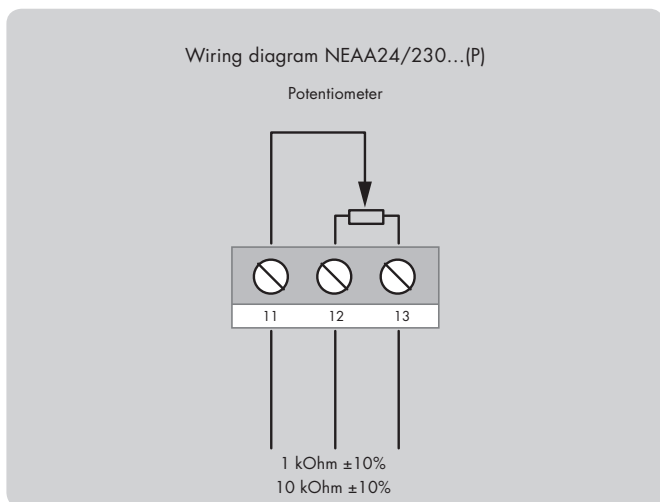
■ **Changing direction of rotation NEAA24/230...(P)**

.....

Factory setting CW!
The direction of rotation can be changed by pushing micro switch SW1 for **1-2** seconds.

The green LED indicates the selected rotation direction with pulses.

0,25 s 3,25 s 0,25 s 2,75 s



■ **Remark**

.....

Parallel connection of maximum five NEAA...(P) actuators is possible. The power consumption and distance between master and slave must be observed.

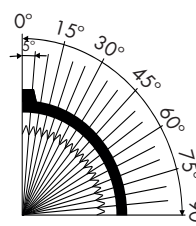
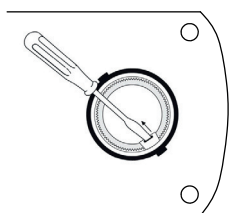
For more details of installation and commissioning, please observe our mounting instruction manual M-NEAA08-16-24-32 (P).



NENUTEC AIR - ROTARY DAMPER ACTUATOR

STANDARD 8 Nm | 16 Nm | 24 Nm | 32 Nm | 2 POINT AND 3 POINT CONTROL WITH POTENTIOMETER

■ Limiting angle of rotation NEAA24/230...(P)



⚠ SAFETY NOTES

- The NE... actuators are not allowed to be used outside the specified field of application as described at the front page of this data sheet.
- Only to be installed by skill educated persons. Any legal regulations or issued by authorities must be observed during installation.
- This actuator includes electrical and electronic components and may not be disposed as household garbage. Please consider the local valid legislation.
- The NE... actuator may only opened by NENUTEC manufacturer site. Device does not contain any parts that can be replaced by user.
- AC 24V - 50/60 Hz - DC 24V: Connect via safety isolating transformer.
- AC 230V: To isolate from the main power supply, the system must incorporate a device which disconnects the phase conductor (with at least 3 mm contact gap).

⚠ IMPORTANT REMARKS

This actuator includes electrical and electronic components and may not be disposed as household garbage. Please consider the local valid legislation.



AC/DC 24 V: Connect via safety isolating transformer. AC 230 V: To isolate from the main power supply, the system must incorporate a device which disconnects the phase conductor (with at least a 3 mm contact gap).

Consult NENUTEC representatives for specific requirements and material selections for your intended application. The entire content of this technical datasheet is protected by copyright with all rights reserved ©.

The performance specifications are nominal and conform to acceptable industry standards. NENUTEC shall not be liable for damages resulting from misapplication or misuse of its products.

CUSTOMISED VERSION

NENUTEC offers you actuators in customised versions, e.g. with your own brand name, with colour-coordinated applications and with your particular demand on request.

Please contact us for further information.

NENUTEC AG

Schachenstrasse 80
CH - 8645 Jona/SG - Switzerland
T: +41 55 224 40 60
F: +41 55 224 40 69
www.nenutec.com

Distributor

Distributor